

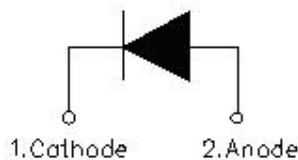
SDUR60Q60W ULTRAFAST RECTIFIER



Applications:

- Antiparallel diode for high frequency switching devices
- Anti saturation diode
- Snubber diode
- Free wheeling diode in converters and motor control circuits
- Rectifiers in switch mode power supplies (SMPS)
- Inductive heating and melting
- Uninterruptible power supplies (UPS)
- Ultrasonic cleaners and welders

Circuit Diagram



Features:

- Ultra-Fast switching
- High current capability
- Low reverse leakage current
- High surge current capability
- Plastic Material has UL Flammability Classification 94V-0
- Terminals finish: 100% Pure Tin
- This is a Pb – free device
- All SMC parts are traceable to the wafer lot
- Additional testing can be offered upon request

Maximum Ratings:

Characteristics	Symbol	Condition	Max.	Units
Peak Repetitive Reverse Voltage	V_{RRM}	-	600	V
Working Peak Reverse Voltage	V_{RWM}			
DC Blocking Voltage	V_R			
Average Rectified Forward Current	$I_{F(AV)}$	50% duty cycle @ $T_c=70^\circ\text{C}$, rectangular wave form	60	A
Peak One Cycle Non-Repetitive Surge Current	I_{FSM}	8.3ms, Half Sine pulse	400	A

Thermal-Mechanical Specifications:

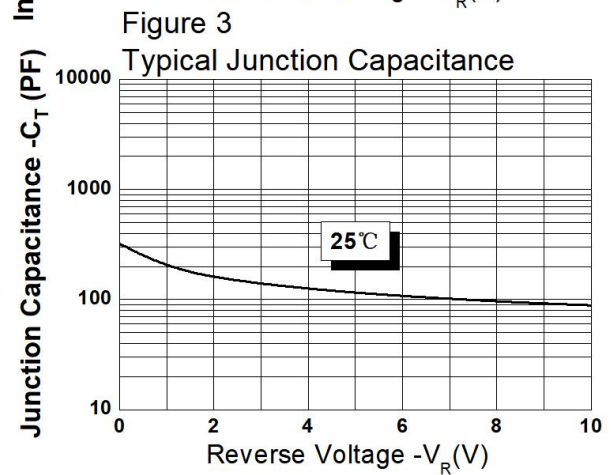
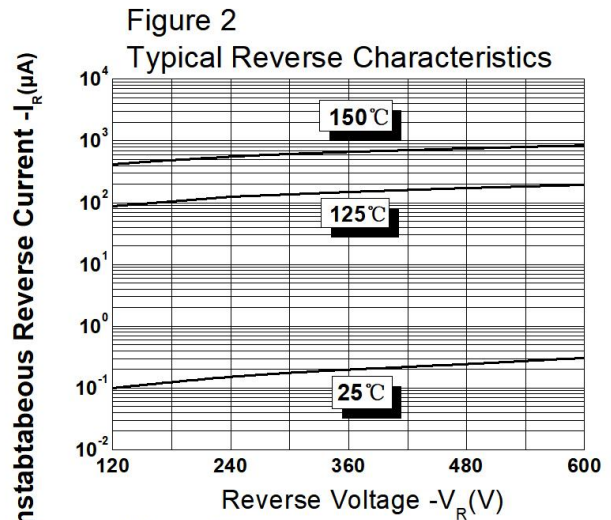
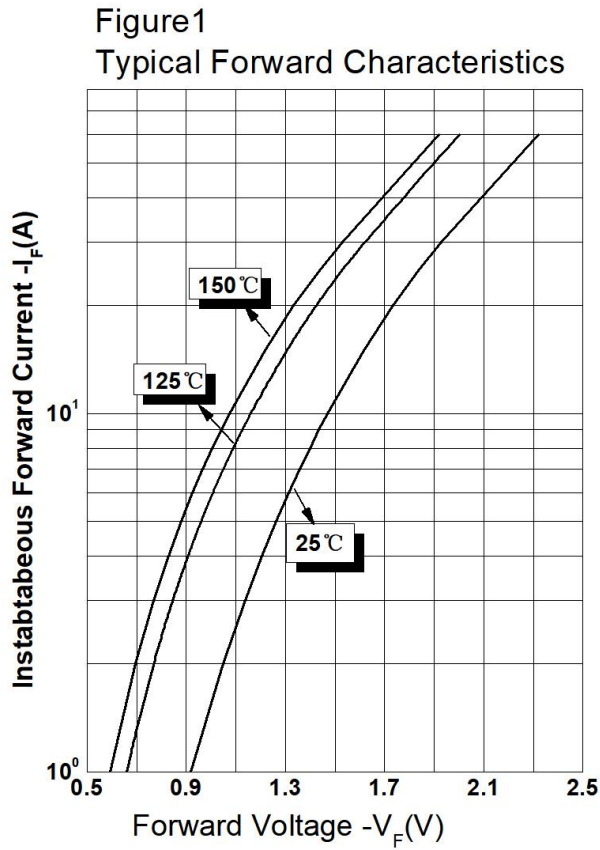
Characteristics	Symbol	Condition	Specification	Units
Junction Temperature	T_J	-	-55 to +175	$^\circ\text{C}$
Storage Temperature	T_{stg}	-	-55 to +175	$^\circ\text{C}$
Typical Thermal Resistance Junction to Case	$R_{\theta JC}$	DC operation	0.34	$^\circ\text{C/W}$
Approximate Weight	wt	-	6.28	g
Case Style		TO-247AC		

Electrical Characteristics:

Characteristics	Symbol	Condition	Typ.	Max.	Units
Forward Voltage Drop*	V _{F1}	@ 30A, Pulse, T _J = 25°C	1.90	-	V
		@ 60A, Pulse, T _J = 25°C	2.30	2.4	V
	V _{F2}	@ 30A, Pulse, T _J = 125°C	1.60	-	V
		@ 60A, Pulse, T _J = 125°C	2.00	-	V
	V _{F3}	@ 30A, Pulse, T _J = 150°C	1.50	-	V
		@ 60A, Pulse, T _J = 150°C	1.92	-	V
Reverse Current*	I _{R1}	@V _R = rated V _R , T _J =25°C	0.08	25	uA
	I _{R2}	@V _R = rated V _R , T _J =125°C	197	500	uA
	I _{R3}	@V _R = rated V _R , T _J =150°C	850	-	uA
Reverse Recovery Time	t _{rr1}	I _F =500mA, I _R =1A, and I _{rm} =250mA, T _J =25°C	36	40	ns
Reverse Recovery Time	t _{rr}	I _F = 60A, diF/dt = -1000A/μs V _R = 400V, T _J = 25°C	44	-	ns
Reverse Recovery Charge	Q _{rr}		194	-	nC
Reverse Recovery Current	I _{RRM}		8.8	-	A
Reverse Recovery Time	t _{rr}	I _F = 60A, diF/dt = -1000A/μs V _R = 400V, T _J = 125°C	169	-	ns
Reverse Recovery Charge	Q _{rr}		1217	-	nC
Reverse Recovery Current	I _{RRM}		14.4	-	A
Reverse Recovery Time	t _{rr}	I _F = 30A, diF/dt = -200A/μs V _R = 400V, T _J = 25°C	86	-	ns
Reverse Recovery Charge	Q _{rr}		206	-	nC
Reverse Recovery Current	I _{RRM}		4.8	-	A
Reverse Recovery Time	t _{rr}	I _F = 30A, diF/dt = -200A/μs V _R = 400V, T _J = 125°C	148	-	ns
Reverse Recovery Charge	Q _{rr}		562	-	nC
Reverse Recovery Current	I _{RRM}		7.6	-	A
Reverse Recovery Time	t _{rr}	I _F = 1A, diF/dt = -100A/μs V _R = 30V, T _J = 25°C	27	-	ns
Reverse Recovery Charge	Q _{rr}		20	-	nC
Reverse Recovery Current	I _{RRM}		1.5	-	A

* Pulse width < 300 μs, duty cycle < 2%

Ratings and Characteristics Curves



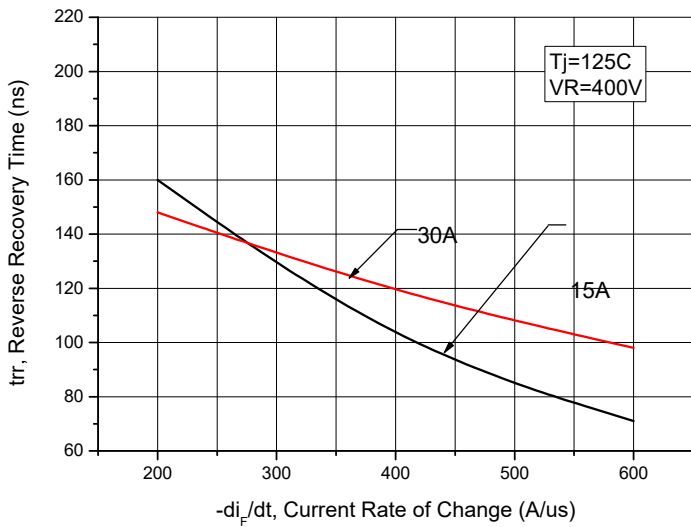


Figure 4. Reverse Recovery Time vs. Current Rate of Change

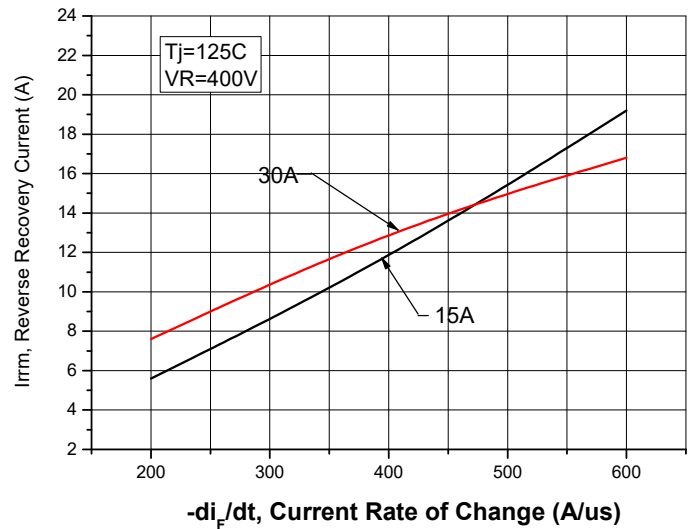


Figure 5. Reverse Recovery Current vs. Current Rate of Change

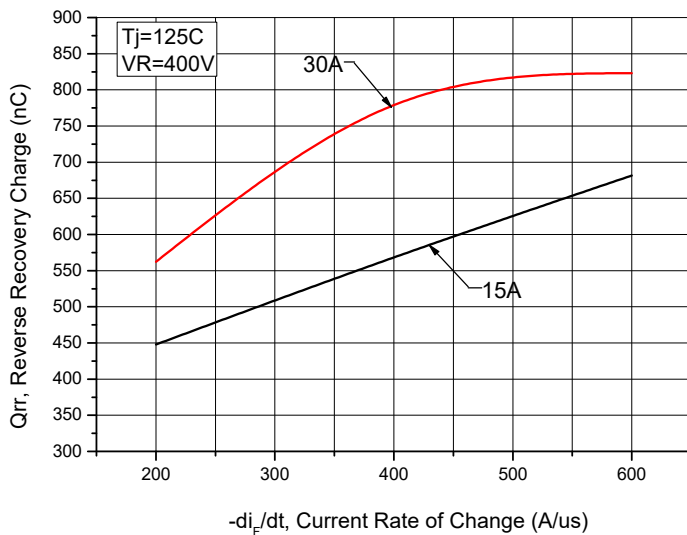


Figure 6. Reverse Recovery Charge vs. Current Rate of Change

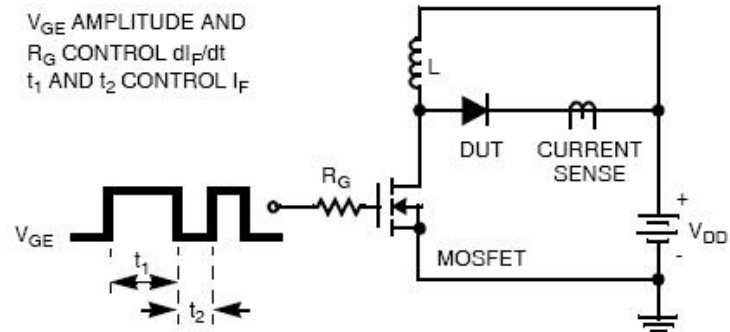
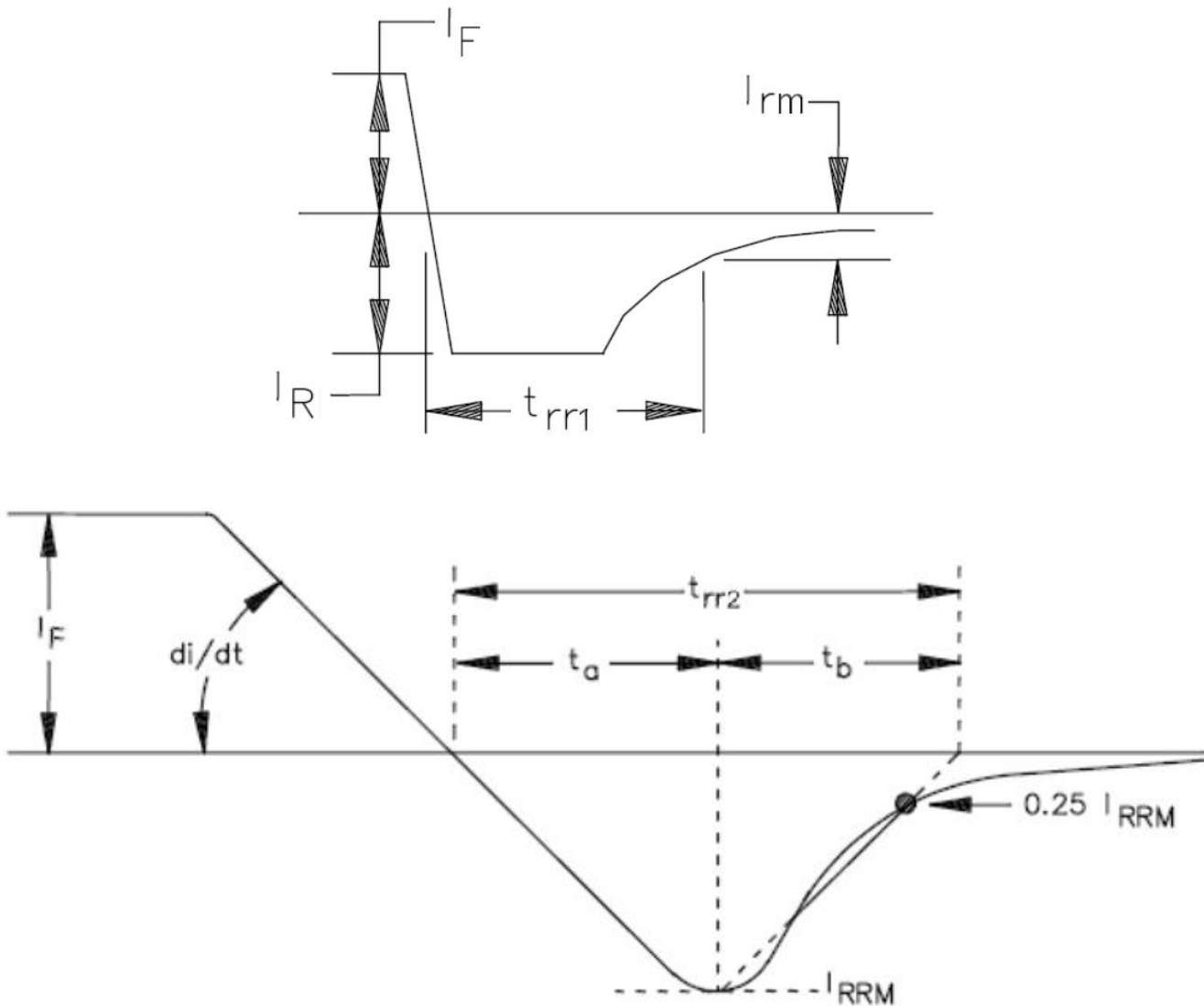


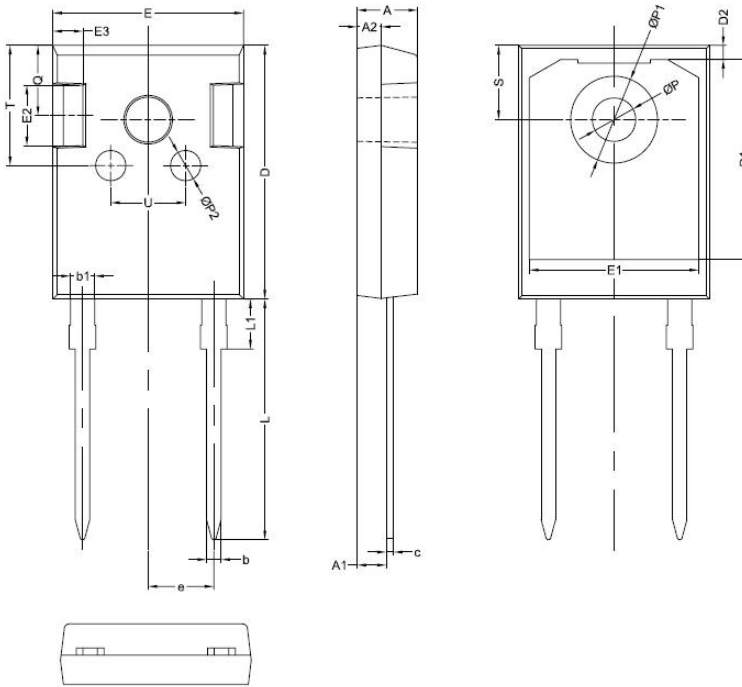
Figure 7. Diode Test Circuit



Note: 1. t_{rr1} MIL-STD-750 Test Method 4031, condition "B".
2. t_{rr2} MIL-STD-750 Test Method 4031, condition "D".

Figure 8 - Reverse Recovery Waveform

Mechanical Dimensions TO-247AC

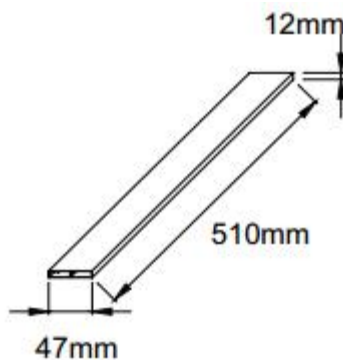


SYMBOL	Millimeters		
	MIN.	TYP.	MAX.
A	4.80	5.00	5.20
A1	2.20	2.41	2.61
A2	1.90	2.00	2.10
b	1.10	1.20	1.35
b1	1.80	2.00	2.20
c	0.50	0.60	0.75
D	20.30	21.00	21.20
D1		16.58	
D2		1.17	
E	15.60	15.80	16.00
E1		14.02	
E2		5.00	
E3		2.50	
e		5.44	
L	19.42	19.92	20.42
L1		4.13	
P	3.50	3.60	3.70
P1	7.1	7.19	7.40
P2		2.50	
Q		5.80	
S	6.05	6.15	6.25
T		10.00	
U		6.20	

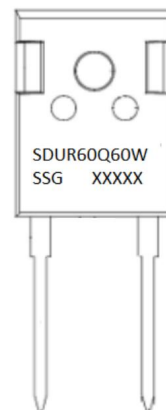
Ordering Information

Device	Package	Plating	Shipping
SDUR60Q60W	TO-247AC(Pb-Free)	Pure Sn	25pcs / tube

Tube Specification



Marking Diagram



Where XXXXX is YYWWL

- SDUR = Device Type
- 60 = Forward Current (60A)
- Q = Q
- 60 = Reverse Voltage (600V)
- W = Configuration
- SSG = SSG
- YY = Year
- WW = Week
- L = Lot Number

Cautions: Molding resin
Epoxy resin UL:94V-0

DISCLAIMER:

- 1- The information given herein, including the specifications and dimensions, is subject to change without prior notice to improve product characteristics. Before ordering, purchasers are advised to contact the SMC Diode Solutions sales department for the latest version of the datasheet(s).
- 2- In cases where extremely high reliability is required (such as use in nuclear power control, aerospace and aviation, traffic equipment, medical equipment, and safety equipment), safety should be ensured by using semiconductor devices that feature assured safety or by means of users' fail-safe precautions or other arrangement.
- 3- In no event shall SMC Diode Solutions be liable for any damages that may result from an accident or any other cause during operation of the user's units according to the datasheet(s). SMC Diode Solution assumes no responsibility for any intellectual property claims or any other problems that may result from applications of information, products or circuits described in the datasheets.
- 4- In no event shall SMC Diode Solutions be liable for any failure in a semiconductor device or any secondary damage resulting from use at a value exceeding the absolute maximum rating.
- 5- No license is granted by the datasheet(s) under any patents or other rights of any third party or SMC Diode Solutions.
- 6- The datasheet(s) may not be reproduced or duplicated, in any form, in whole or part, without the expressed written permission of SMC Diode Solutions.
- 7- The products (technologies) described in the datasheet(s) are not to be provided to any party whose purpose in their application will hinder maintenance of international peace and safety nor are they to be applied to that purpose by their direct purchasers or any third party. When exporting these products (technologies), the necessary procedures are to be taken in accordance with related laws and regulations..